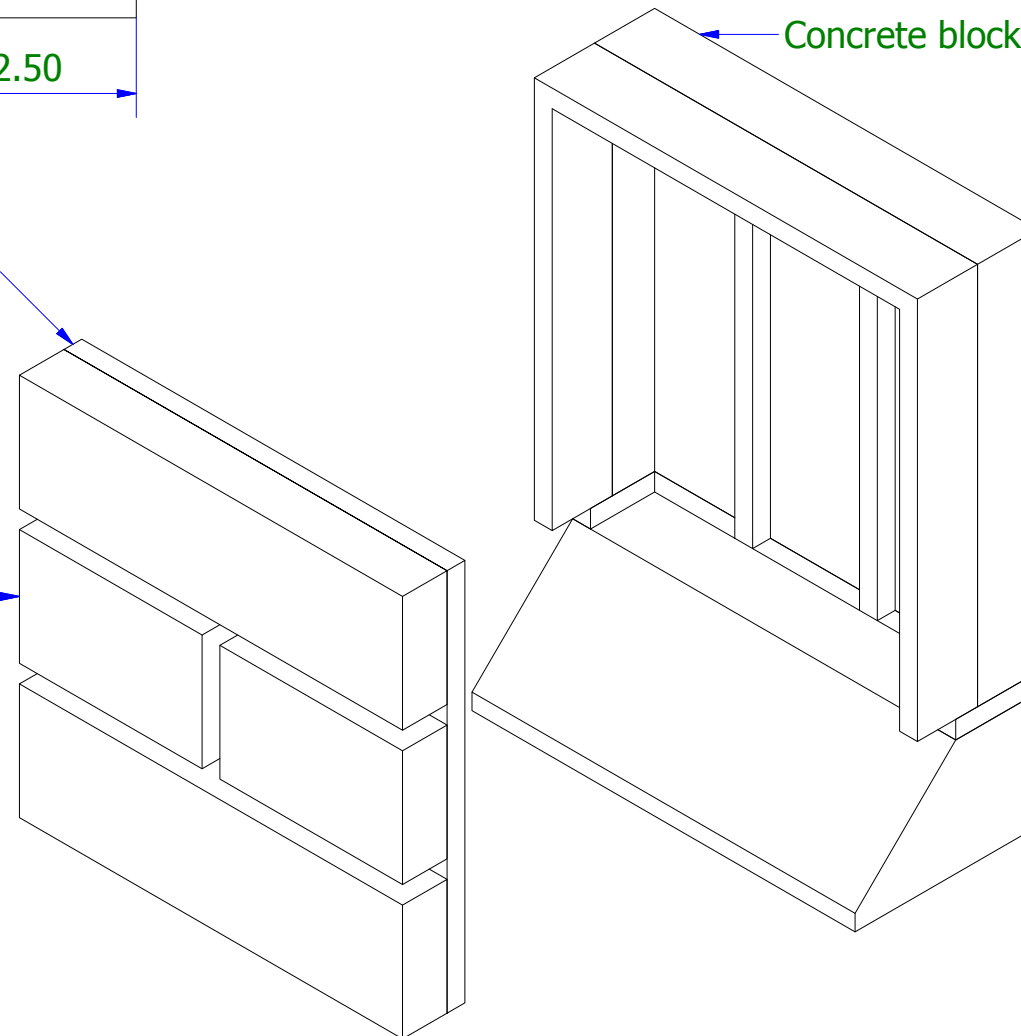


Cement board

Brick slips

Concrete block



**brickfab**

...simply better

Gemini Works,  
Estate Road,  
Pontypool,  
NP4 6YW.

Tel : 01495 759 555  
Fax: 01495 759 874  
sales@brickfab.com  
www.brickfab.com

©Brickfab Limited 2016  
This drawing is the property of Brickfab Ltd.  
It is not to be copied, used or disclosed to  
any third party without prior agreement of a  
Director of Brickfab Limited.

FOR OFFICE AND PRODUCTION USE ONLY

Drawing Title:  
Bat Box Drawing

Customer/Supplier:

Customer Order Number/Ref:

Project:

BFL Drawing Number (Project/Product-View/  
Revision):

Drawn by/Date:  
SS 18/05/2017

Checked by/Date:  
MO 18/05/2017

Scale:  
1:3 @ A3

Sheet:  
1 / 1

Projection:

ALL DIMENSIONS IN MM UNLESS  
OTHERWISE STATED  
Note: When printing from PDF, ensure print  
scaling is set to none. (File -> Print -> Page  
Handling -> Page Scaling -> None)

Approved by/date:

