

© Brick Fabrication Limited 2016
This drawing is the property of Brick Fabrication Ltd. It is not to be copied, used or disclosed to any third party without prior agreement of a Director of Brick Fabrication Limited.

FOR OFFICE AND PRODUCTION USE ONLY

Drawing Title:
Corner Wall Panels Type 02

Customer:
XXXX

Customer Order Number/ Ref:
XXXX

Project:
XXXX

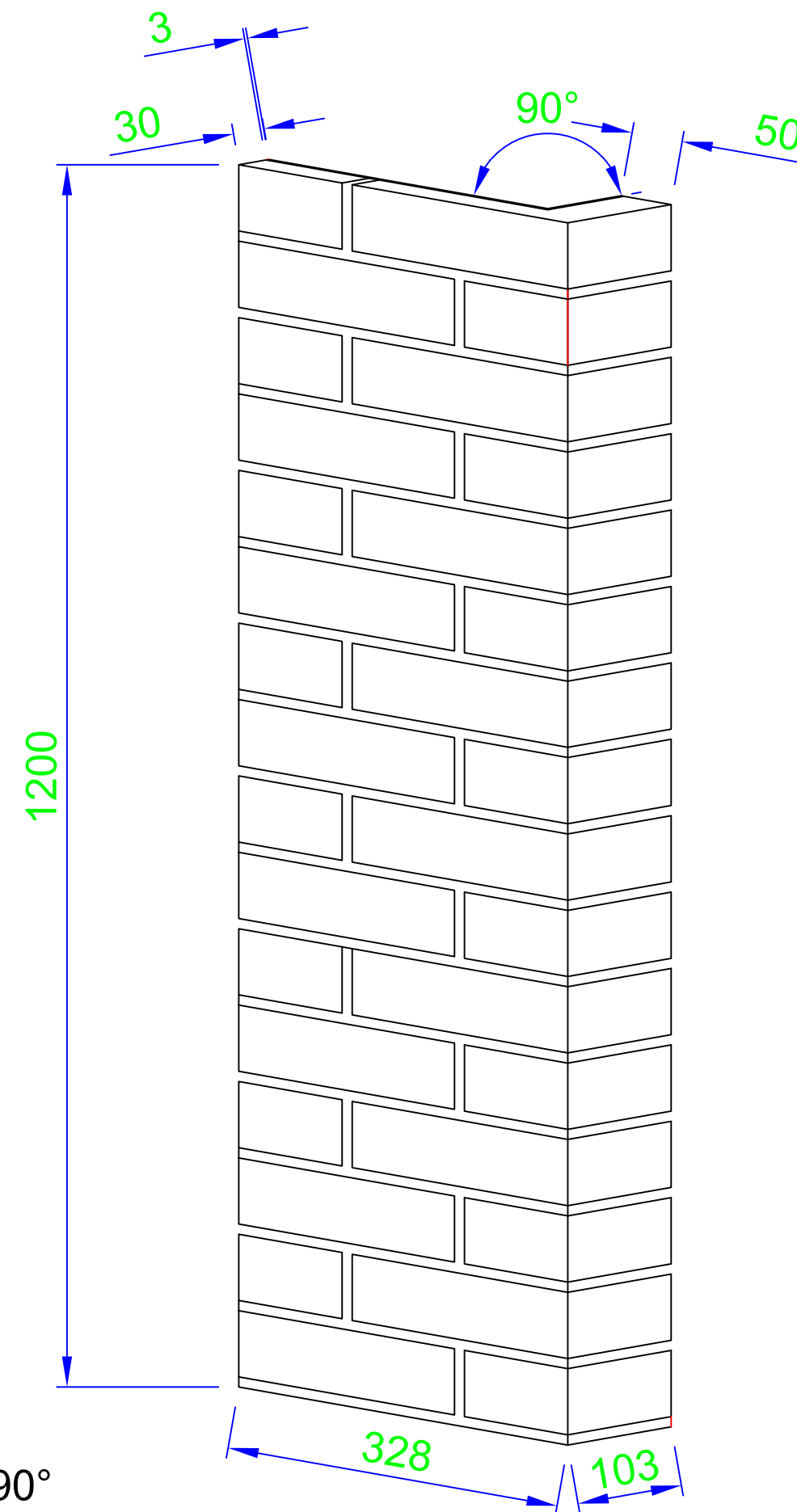
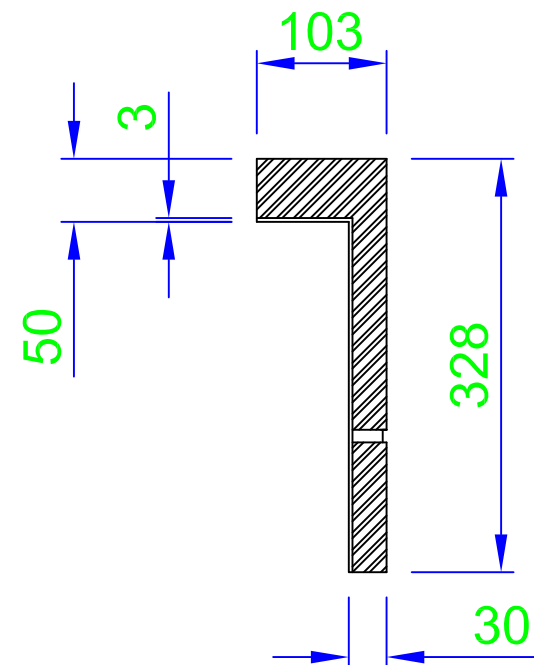
BFL Drawing Number (Project / Product-View / Revision):
XXXX

Drawn by/Date: PT	Checked by/Date: XXXX
----------------------	--------------------------

Scale: 1:06 @ A3	Sheet: 1/1
---------------------	---------------

Projection: 	ALL DIMENSIONS IN MM UNLESS OTHERWISE STATED Note: When printing from PDF, ensure print scaling is set to none. (File-->Print-->Page Handling-->Page Scaling-->None)
--	---

Approved by/date:



Corner Wall Panels 328 x 103 x 1200mm @ 90°